

SIEMENS



Siemens PLM Software

NX for automotive

Driving fast and efficient design

[siemens.com/plm](https://www.siemens.com/plm)



Faster, more efficient design can help automotive companies comply with changing regulatory standards and capitalize on growth in emerging markets.

Push your designs to new limits with speed and efficiency



Reduced emissions, improved fuel economy, weight reduction and alternative technologies all demand faster and more efficient innovation in automotive products. You can't afford to slow development with unproductive design methods and technology. NX™ software, the product development system from Siemens PLM Software, can help you design and deliver improved products, and respond quickly and insightfully to new market opportunities and challenges.

NX is an advanced computer-aided design, engineering and manufacturing (CAD/CAE/CAM) solution that offers power, control and performance to improve and accelerate automotive

design and manufacturing processes. The CAD tools in NX are tailored to meet the requirements of a broad automotive customer base, and include special-purpose capabilities for automotive engineering.

Proven value for automotive design
With proven value for automotive original equipment manufacturers (OEMs) and suppliers, NX delivers solutions to nearly every major automaker and many Tier 1 manufacturers. Thirty of the top 50 global automotive suppliers use NX for design.

“Reduced the time from styling freeze to start of production from 20 months to 10.5 months.”

Nissan

“...by implementing NX, we have reduced die design costs and time, and have increased productivity.”

MUSCO Stamping

“More than 70 percent of our top- and bottom-line growth has come from new high-margin products developed using NX solutions.”

Vishwas Auto Engineers

Speed and efficiency throughout design

With NX you work in one unified environment, using the same model data in each stage of product development, from concept through manufacturing.

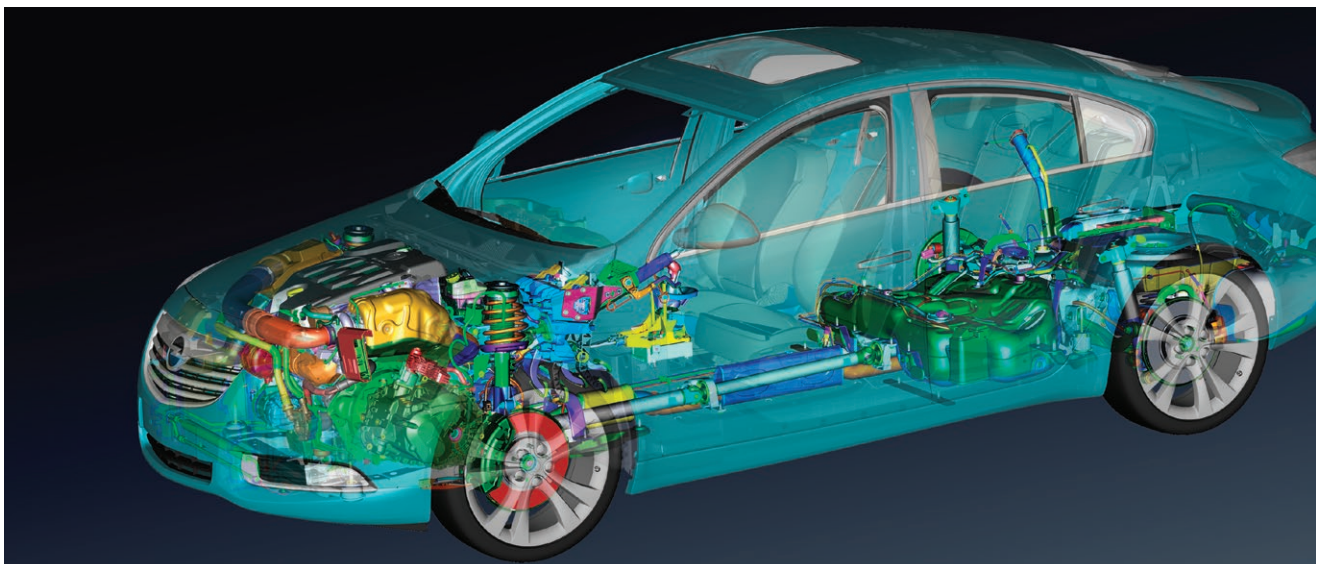
You can improve speed and efficiency throughout the entire automotive design process with NX. Integrated tools in a single system support all areas of automotive design:

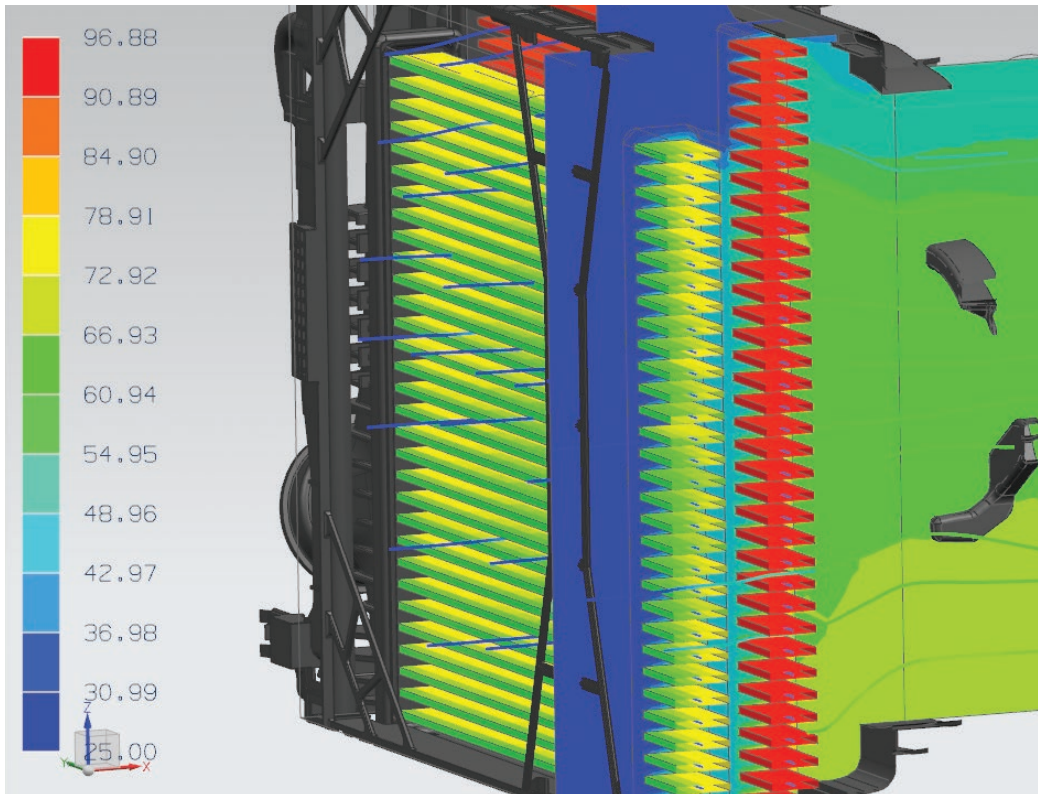
- Concept styling
- Vehicle packaging and interiors design
- Class A surfacing
- Powertrain
- Body design
- Chassis design
- Component and assembly design
- Routed systems design
- Drafting and documentation
- Tool and fixture design
- Design and manufacturing validation
- Digital mockup
- Data collaboration and migration

With NX you work in one unified environment, using the same model data in each stage of product development, from concept through manufacturing. Your teams can communicate and collaborate better with model-based processes so you can work more efficiently. You can work faster and more flexibly by eliminating delays and data conversions between departments and disparate systems.

Integrated simulation and manufacturing

NX is a complete product development solution, with industry-leading capabilities for simulation/CAE and manufacturing. When you design with NX, you create master models that are used directly in NX engineering and production. Because all applications are dynamically associated with the design, your teams can work concurrently and accelerate change as the design develops.





Fast, efficient methods and technologies

For complex design challenges, you can rely on the broad and capable toolset of NX to get the job done quickly. You have the flexibility to choose among high-performance design techniques powered by innovative technologies. You can select from 2D and 3D tools, using curves, surfaces and solid geometry modeling in a single design, or work with mixed geometry representations, including nonuniform rational B-spline (NURBS) and faceted geometry. Parametric feature-based design, direct modeling with synchronous technology, subdivision modeling for freeform shapes (using NX Realize Shape™ software for subdivision modeling), template-based design, modular design and assembly modeling are always available as needed by your design team, even when they are working with data from other CAD systems.

Design faster by using your unique knowledge and expertise

NX can be used to accelerate design by helping you leverage your unique knowledge, intellectual property, part models, product and process expertise and best practices. Many tools are available to enable you to capture and re-use knowledge instead of reinventing it. With an extensive library of knowledge for re-use at your fingertips, including designs, standard parts, design features and product templates, you can quickly locate what you need and use it again. Knowledge-driven automation provides an open environment that includes templates, programming, customization and knowledge-based engineering tools that you can use to extend and tailor NX solution capabilities to your specific needs.

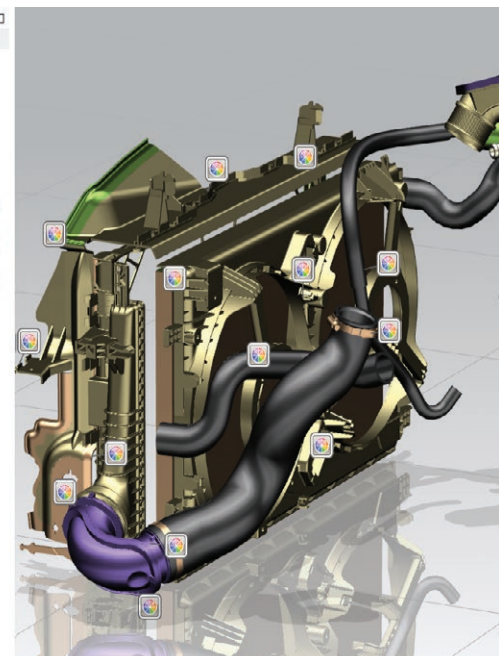
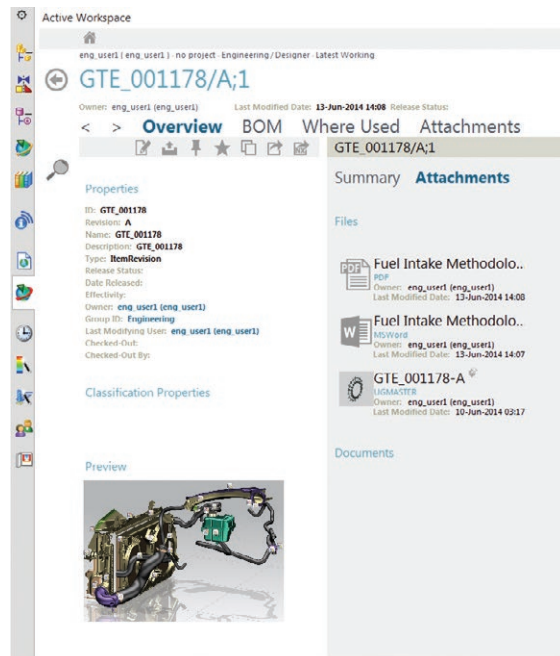
NX can be used to accelerate design by helping you leverage your unique knowledge, intellectual property, part models, product and process expertise and best practices.

Faster design with product lifecycle management

With NX, you can use visual tools to gather data, organize information and present it in the context of the 3D product model to better inform and accelerate decision making.

Your company's agility and productivity can be improved with robust organization and management of your product information and design processes. When you design with NX, you can use Teamcenter® software and its leading product lifecycle management (PLM) tools to manage engineering data and processes, materials and

requirements. These capabilities are seamlessly integrated within NX; designers can use them quickly and efficiently in a transparent manner while developing your product.



Enhance speed and efficiency with smarter decisions



Automotive design entails hundreds of decisions that rely on up-to-date information. With NX, you can use visual tools to gather data, organize information and present it in the context of the 3D product model to better inform and accelerate decision making. These visual analytics help you track work in progress, identify and resolve issues, assess change impacts, monitor costs, manage risk and check for compliance with standards and requirements.

Collaborate with speed and efficiency

With NX, you can easily communicate and collaborate with other departments, customers, suppliers and partners – even if they are using other CAD systems or no CAD system at all. For collaborative design, NX makes extensive use of the JT™ data format, a CAD-neutral exchange standard for design data that is used widely in the automotive industry. Partners using other

CAD systems can use this format to integrate with NX for visualization, collaboration, data sharing, assembly mockup and design-in-context applications.

Move to NX with speed and efficiency

When you move to NX, you can use robust content migration tools, services and training to maximize your return on investment (ROI) for legacy product data. Whether you adopt NX to align with partners and suppliers, or to improve your product development capability, Siemens PLM Software's content migration reduces the time, effort and risk required to re-use information from other systems. Moving to NX often requires less effort and expense than moving to the next version of your current CAD system.

Concept design

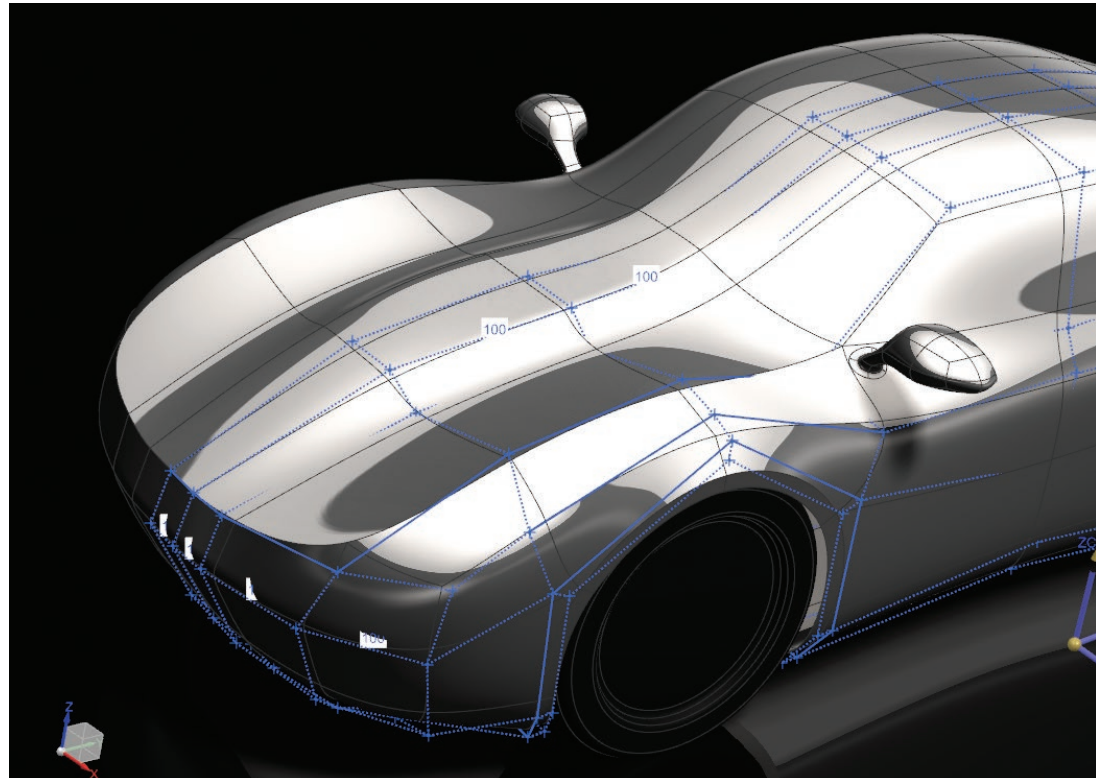
The concept design tools in NX give you the power and freedom to push your creativity, all in one system.

You can quickly capture and refine design concepts – and get them into production faster – with the integrated tools in NX. Your designers have the power and flexibility to explore as many design alternatives as possible so they can quickly and easily change direction and validate that concepts meet design requirements. Initial concepts can be captured digitally in 2D or 3D, from images, physical models, model-based sketching and direct sketching to surface and solid modeling or subdivision sculpting.

For exterior and interior Class A surfaces, NX provides pole manipulation and surface alignment tools while giving you full control and real-time analysis of surface qual-

ity. For shape manipulation, you can select freely from global shaping, 3D synchronous modeling or feature-based parametric modeling. To help ensure surface quality and continuity and to optimize visual aesthetics, NX includes a broad range of analysis and rendering tools.

The concept design tools in NX give you the power and freedom to push your creativity, all in one system. The design concepts you develop with NX are fully manufacturable digital models: you can use concept geometry directly in other development departments for detailed engineering, simulation, validation, tooling and manufacturing.

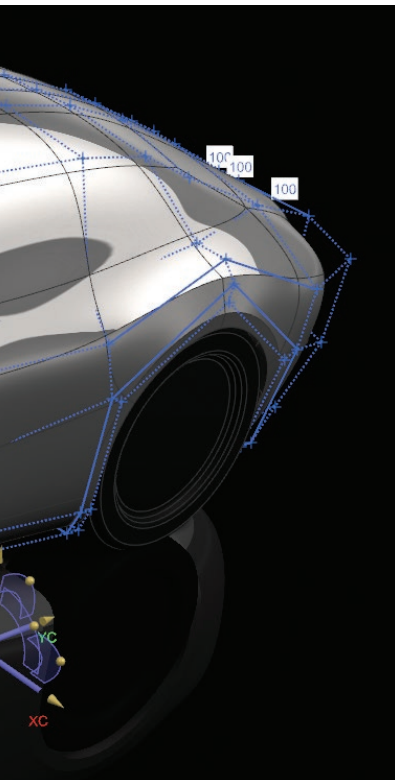


Accelerate vehicle packaging and interiors design

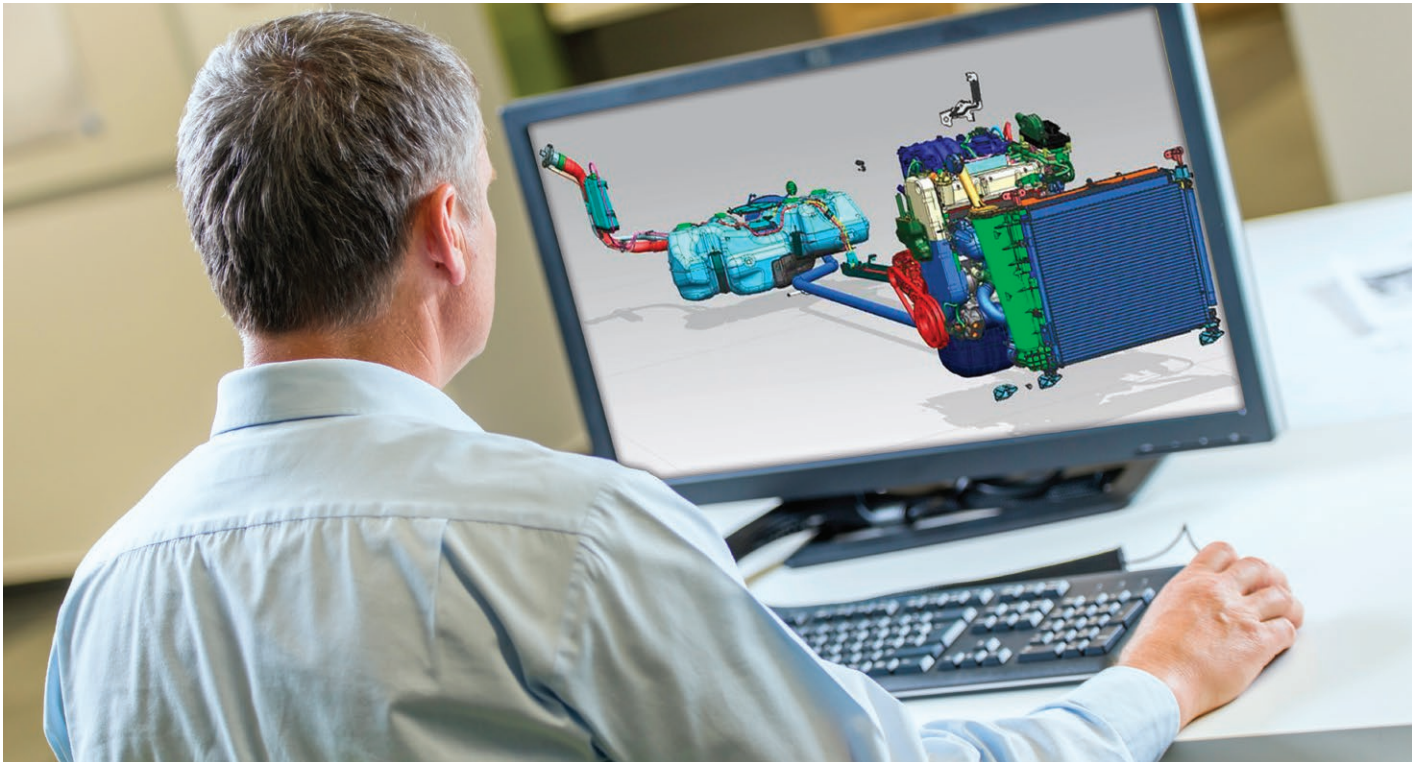
For automotive mechanical and occupancy packaging, NX offers intelligent special-purpose tools that use industry standards and process knowledge to automate packaging tasks. These tools help certify designs for compliance with industry and regulatory standards, offering step-by-step assistance and automated checking. Occupancy packaging and safety compliance capabilities include tools for pedestrian protection, seat placement and travel, seat belt anchorage, controls reach, as well as direct and mirror visibility certification.

NX can be integrated with the Seat Design Environment (SDE) portfolio to support the entire seat trim and interiors panel development process. This

specialized solution for designing and manufacturing seat trim covers and interior components ensures that the product is cost effective and efficiently manufactured by automatically generating all needed documentation and drawings. The addition of this technology complements existing NX-based processes, enabling the sharing of design detail, and drastically reducing the need for physical prototyping.



Powertrain



With NX, your powertrain teams can quickly create design studies to evaluate powertrains using digital mockups of the vehicle compartment, subsystems and components.

NX tools can help you achieve key powertrain design objectives for performance, economy, durability and responsiveness. Using the comprehensive component and assembly modeling capabilities in NX accelerates design and increases productivity. As you would expect, NX provides parametric sketch-driven solid modeling features such as extrude and revolve, as well as shape-modifying tools such as form drafting and blending. These tools are integrated into the same design environment with high-end surface and solid creation and manipulation features such as sweep, trim/extend and patching. You can boost speed and efficiency significantly by using product templates that automate complex design processes with embedded best-practice knowledge.

Interpart associativity of geometry and expression and module-based organization of parts allows you to design the most complex cast components and subsystems.

With NX, your powertrain teams can quickly create design studies to evaluate powertrains using digital mockups of the vehicle compartment, subsystems and components. NX gives you all the modeling and design tools required to maintain and apply engine and transmission configurations in the vehicle.

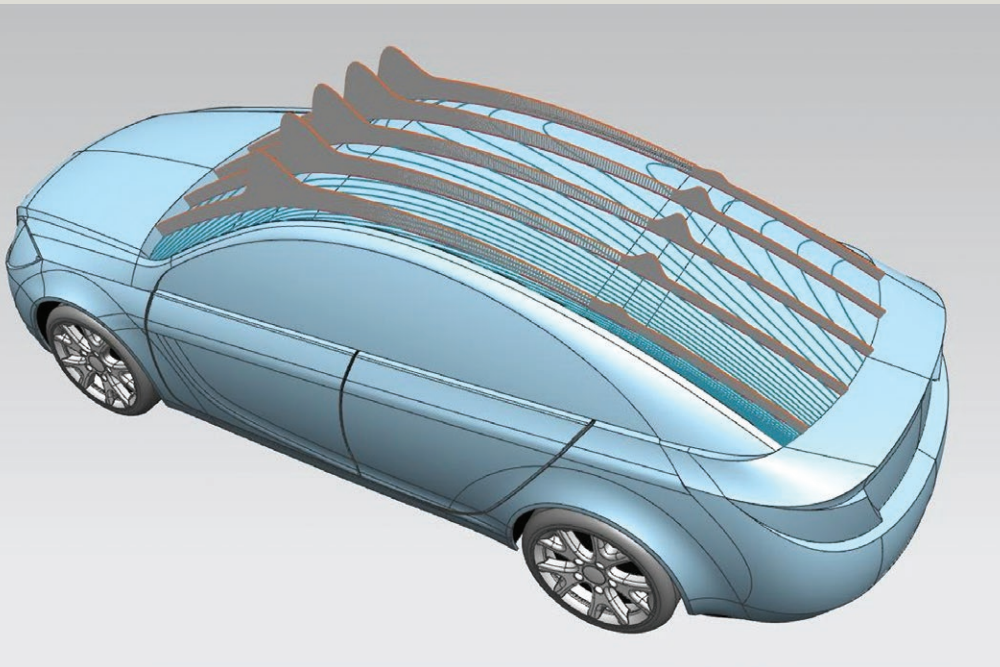
Body design

Fast and efficient design can help you achieve critical body design objectives such as distinctive styling, lower weight and structural safety. Using a systems-driven approach, you can readily trace and validate requirements, divide design tasks into manageable subsystems and communicate across domains and throughout the value chain.

For styled body surfaces, your design team can use powerful curve, surface and freeform modeling tools and reverse engineering techniques to more quickly develop and refine Class A surfaces. NX analysis and rendering tools help ensure surface quality, continuity and aesthetics.

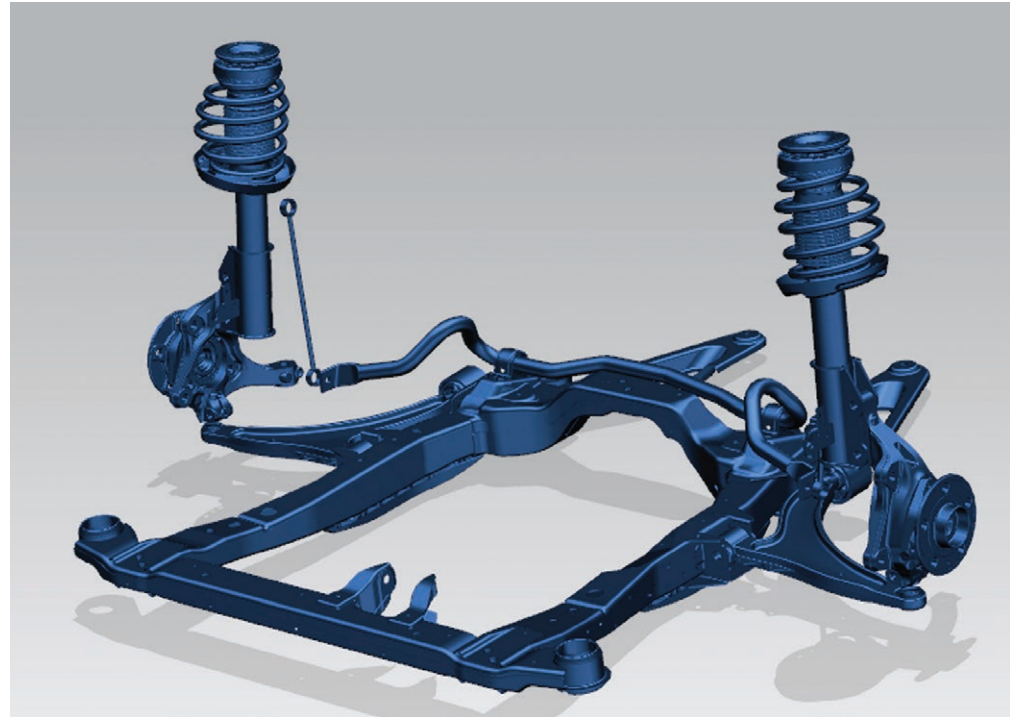
NX helps you accelerate and simplify body-in-white (BIW) design with specialized tools that are based on industry-best practices. These reduce design time and enable fast evaluation and validation of alternatives by automating body panel design, side door openings, hinge locations, glass drop and other body design tasks. Modular design in NX enables multiple designers to concurrently develop details of body components while Wave interpart modeling technology provides you with the power and control to create advanced BIW templates. You can optimize body designs for manufacturing with NX functions for weld definition and validation, dimensional engineering and simulation.

When considering alternative materials, such as composites for chassis and body panel design, you can take advantage of NX integration with the Fibersim™ portfolio of software for composites engineering, which addresses the unique needs of collaborative composite product development. These capabilities facilitate the authoring of composite design data to create fully optimized 3D product definitions and seamlessly export documentation and manufacturing data to production systems. The result is an efficient process for delivering optimized, high-volume composite products.



NX analysis and rendering tools help ensure surface quality, continuity and aesthetics.

Component and assembly design



NX delivers team-oriented tools for assembly designs that can accommodate many parts, people and locations.

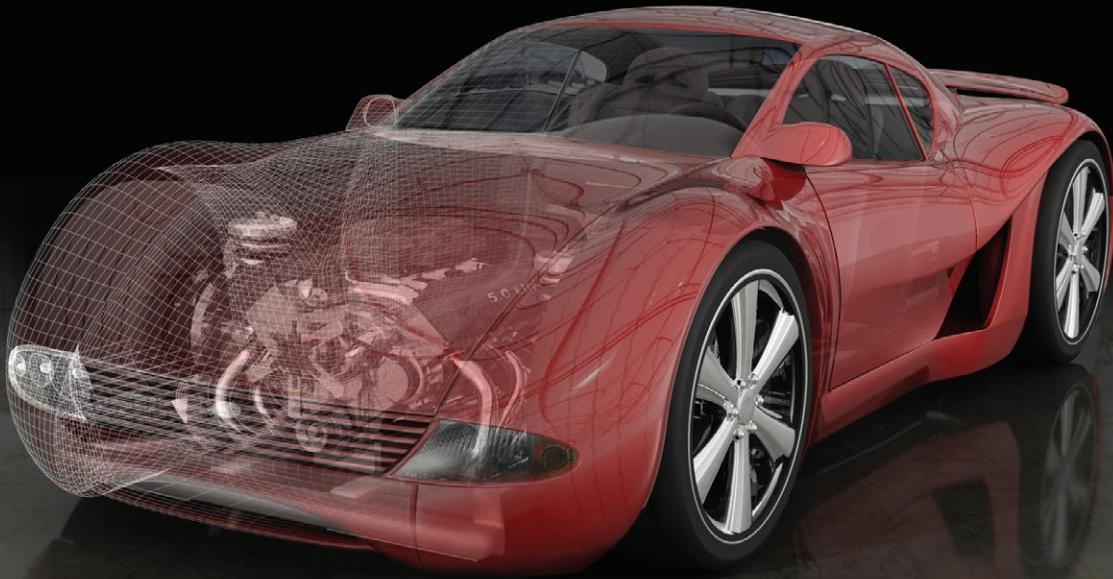
NX includes a comprehensive modeling toolkit with the power and flexibility to improve productivity in component and assembly design. Your designers can select the most appropriate tools and methods for every task, using any combination of 2D and 3D, solid modeling, curve and surface design, parametric feature-based modeling, template-based design, modular design, subdivision modeling and direct modeling functions. For even the most complex designs, NX has the tools to get the job done.

All of the design functions in NX are available through a user interface (UI) that is consistent across all applications and is adaptable to your designers' roles, workflows and skill sets. Using NX is fast, intuiti-

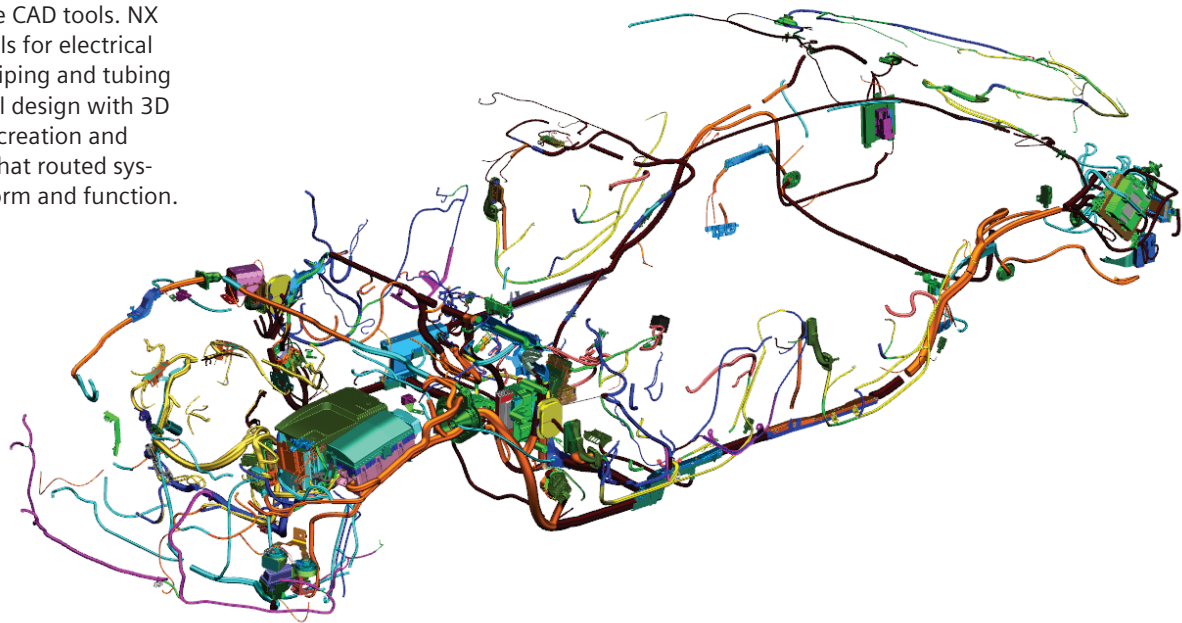
ve and efficient, and provides rich visual feedback, real-time diagnostics and in-context validation that helps steer you to successful design solutions.

NX delivers team-oriented tools for assembly designs that can accommodate many parts, people and locations. Optimized for the largest and most complex products, NX assembly modeling enables individual designers to work in the context of the full assembly, with exceptional change control and full multi-CAD digital mockup.

Routed systems design



With specialized tools for routed systems design, you can develop electrical and hydraulic systems more quickly and easily than with general-purpose CAD tools. NX offers both 2D and 3D tools for electrical cabling, wire harnesses, piping and tubing design. These unite logical design with 3D assembly modeling, path creation and rules checking to ensure that routed systems are accurate in fit, form and function.



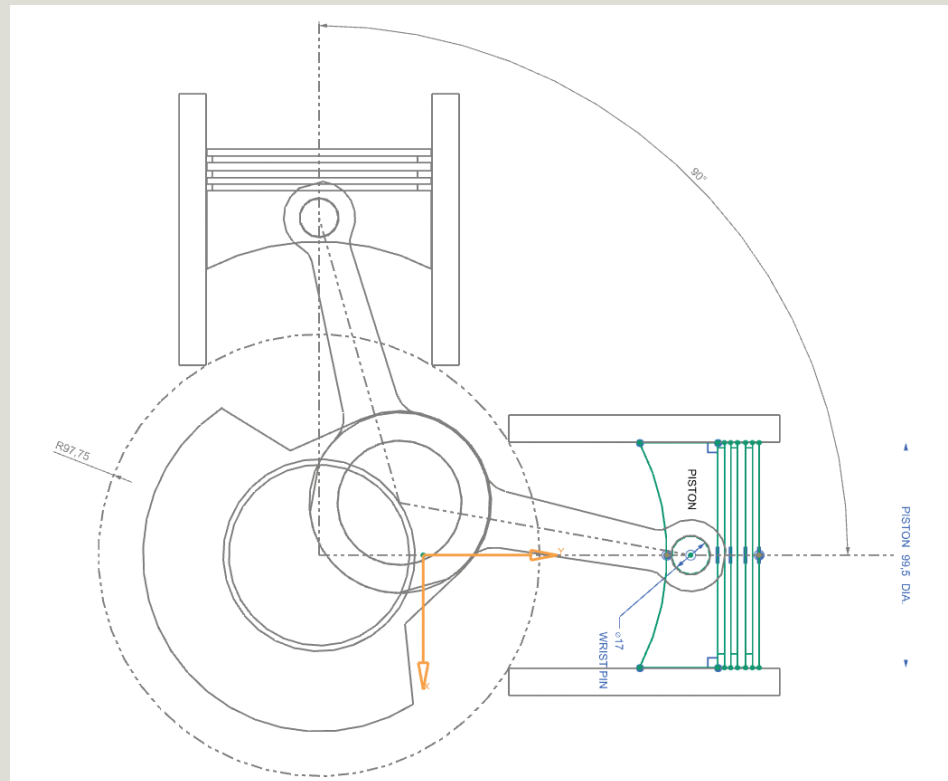
Drafting and documentation

With NX, you can enhance communication of design and manufacturing intent with 3D annotations directly on the 3D product models.

Using NX helps improve communication throughout the automotive design and development process by providing efficient drafting and documentation capabilities. Your team can use a comprehensive suite of tools for engineering drawing creation, with power and productivity for large and complex designs.

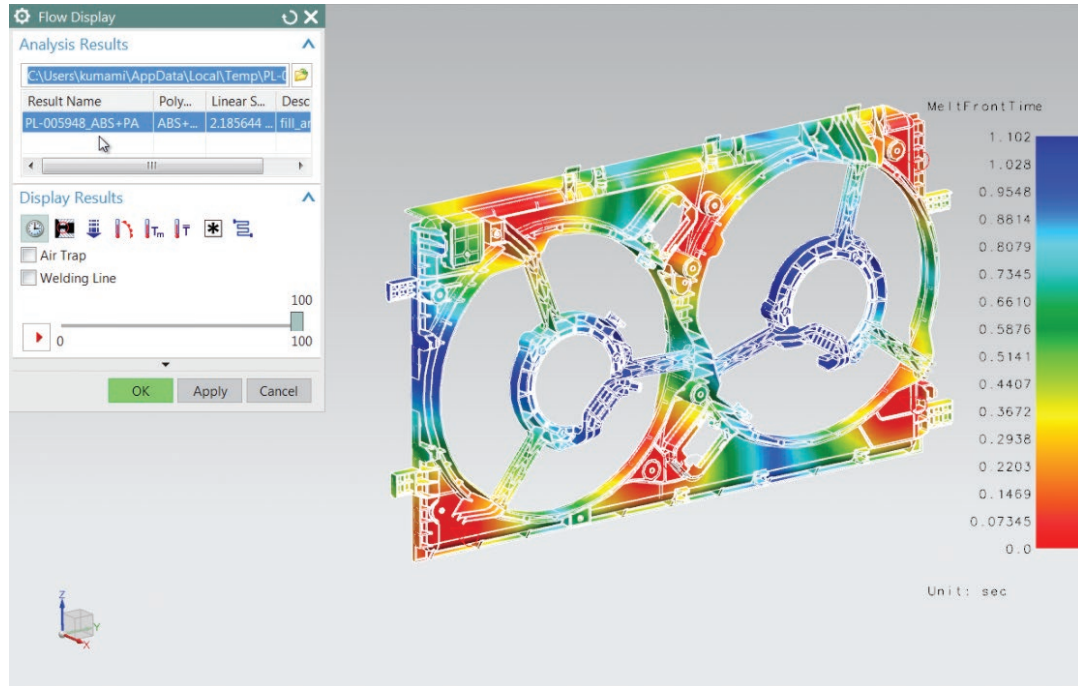
Working from the master product definition, you can quickly create drawings of components and assemblies using drawing templates. View creation, dimensioning and detailing in NX to comply with industry and international drafting standards so you can accelerate creation of compliant drawings. Innovative lightweight drawing views deliver superior performance for large assembly drawings.

With NX, you can enhance communication of design and manufacturing intent with 3D annotations directly on the 3D product models. This product and manufacturing information (PMI) – including geometric dimensioning and tolerancing (GD&T), text annotations, surface finish and material specifications – can be re-used in drawings, tolerance stackup validations, manufacturing, inspections of coordinate-measuring machines (CMM) and other applications.



Tool and fixture design

NX delivers expert guidance through all the stages of design with automated workflows based on industry-best practices.



You can help ensure an easy transition to manufacturing with NX tooling and fixture design. Using NX streamlines the entire tool development process, including part design, tool assembly layout and detailed tooling design and validation. By using the productive technologies of NX, step-by-step guidance and associativity with part designs, you can work quickly and efficiently with even the most challenging tooling and fixture designs.

Because your tool designs are dynamically linked to part models, you can easily adapt to model changes and update tooling and fixture designs faster. Validation, analysis and documentation are available to tool designers to verify functional performance and prepare for manufacturing.

For specialized tooling such as molds, progressive dies and automotive stamping dies, NX delivers expert guidance through all the stages of design with automated workflows based on industry-best practices. By automating tedious tool design tasks and streamlining the most complex processes, NX helps you develop high-quality tools and respond quickly to design revisions.

About Siemens PLM Software

Siemens PLM Software, a business unit of the Siemens Digital Factory Division, is a world-leading provider of product lifecycle management (PLM) software, systems and services with nine million licensed seats and 77,000 customers worldwide. Headquartered in Plano, Texas, Siemens PLM Software helps thousands of companies make great products by optimizing their lifecycle processes, from planning and development through manufacturing and support. Our HD-PLM vision is to give everyone involved in making a product the information they need, when they need it, to make the smartest decisions. For more information on Siemens PLM Software products and services, visit www.siemens.com/plm.

Headquarters

Granite Park One
5800 Granite Parkway
Suite 600
Plano, TX 75024
USA
+1 972 987 3000

Europe

Stephenson House
Sir William Siemens Square
Frimley, Camberley
Surrey, GU16 8QD
+44 (0) 1276 413200

Americas

Granite Park One
5800 Granite Parkway
Suite 600
Plano, TX 75024
USA
+1 314 264 8499

Asia-Pacific

Suites 4301-4302, 43/F
AIA Kowloon Tower,
Landmark East
100 How Ming Street
Kwun Tong, Kowloon
Hong Kong
+852 2230 3308

© 2015 Siemens Product Lifecycle Management Software Inc. Siemens and the Siemens logo are registered trademarks of Siemens AG. D-Cubed, Femap, Fibersim, Geolus, GO PLM, I-deas, JT, NX, Parasolid, Solid Edge, Syncrofit, Teamcenter and Tecnomatix are trademarks or registered trademarks of Siemens Product Lifecycle Management Software Inc. or its subsidiaries in the United States and in other countries. All other logos, trademarks, registered trademarks or service marks belong to their respective holders.

43906-X10 1/15 A